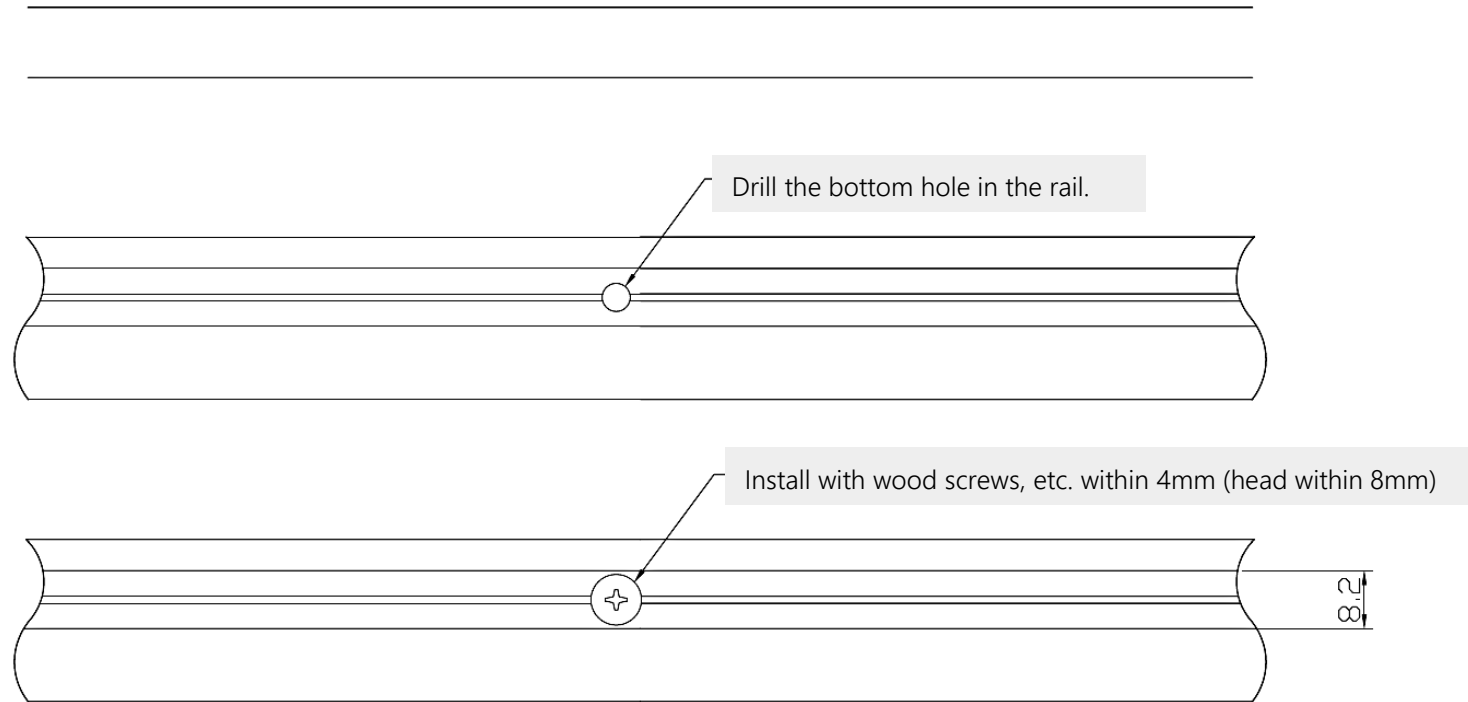
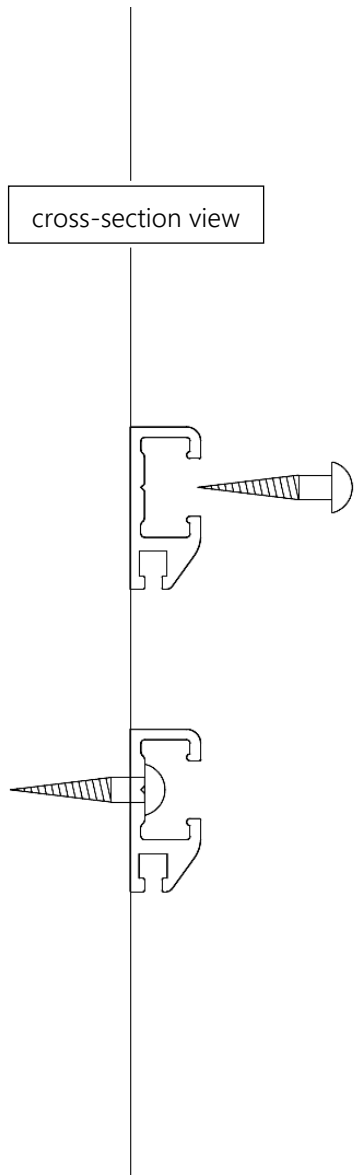


# Interior Anchor 【Work Instruction】 Rail



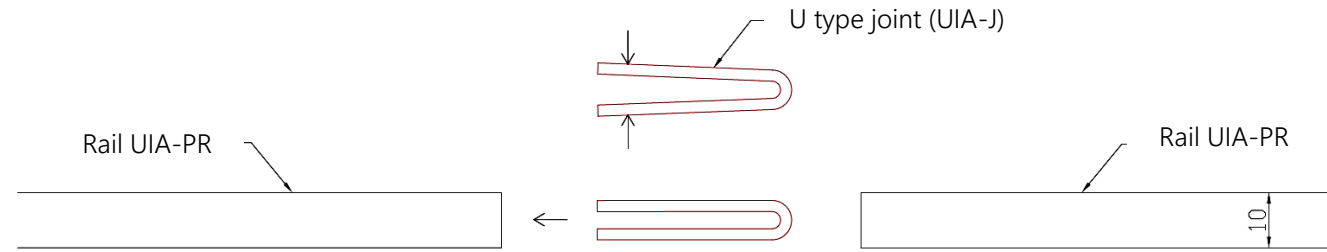
\* Use wood screws, etc., but prepare mounting screws according to the material of the wall surface.

\* Fix with 3 or 4 screws for L=900.

# Interior Anchor 【Work Instruction】 Rail Joint Installation Instructions

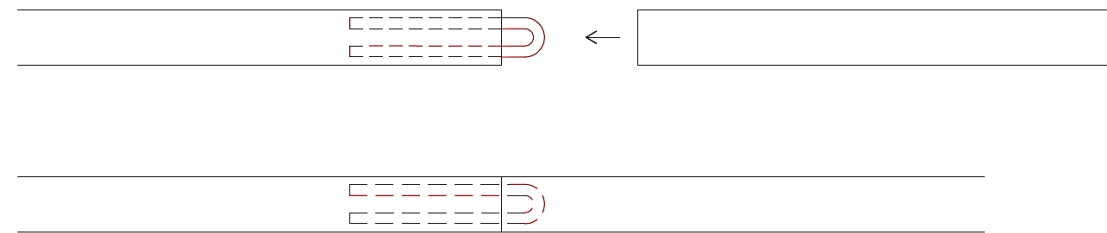
\* This is the procedure for connecting L=900 rails.

1



Shrink the tip and push it into the rail groove (2 steps)

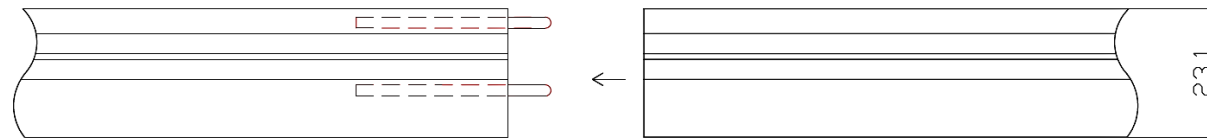
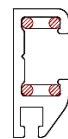
2



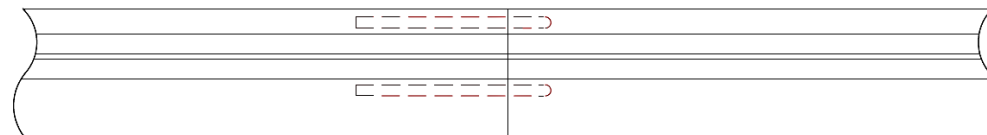
Push in the rail on the side to be connected when the U-shaped part of both rails is about 1 cm from the rail (see Figure A).

cross-section view

Figure A

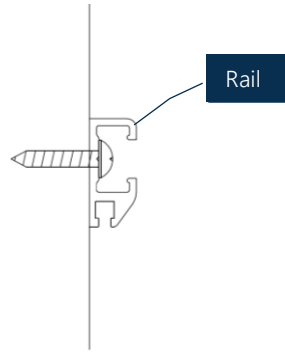


2



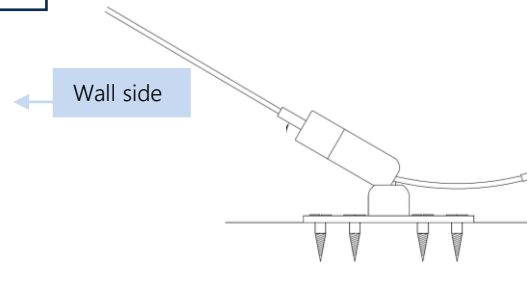
# Interior Anchor 【Work Instruction】 Furniture Stopper

1



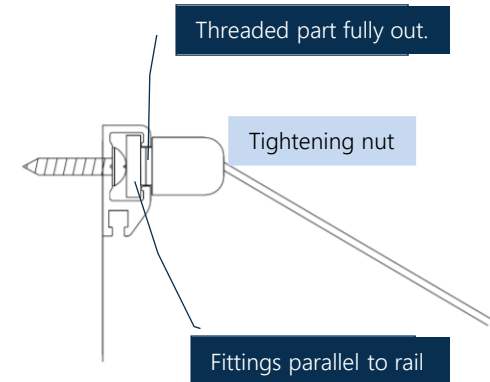
When installing the rail, check the location of the substrate and install in a place where the screws will work.

2



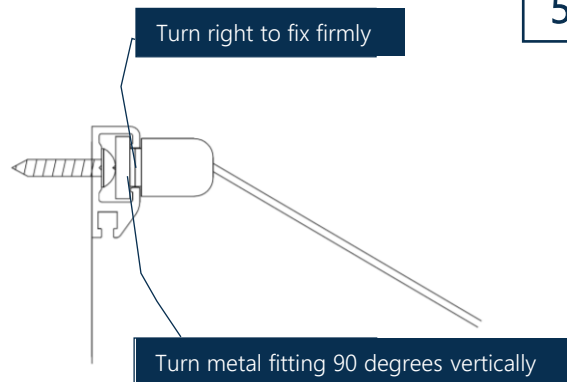
Attach the furniture stopper to the front edge corner of the top panel of the furniture with screws. Install the stopper where the top and side panels overlap, where it has the highest strength.

3



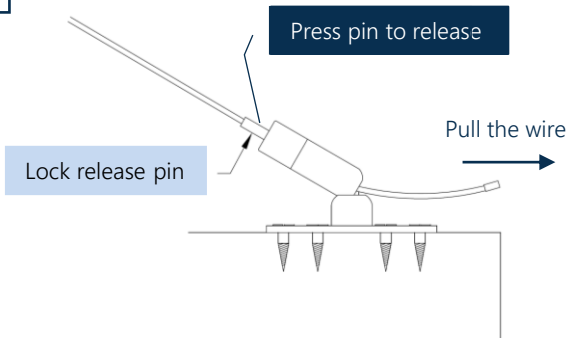
Turn the metal fitting of the attachment sideways and insert it into the rail. At this time, loosen the tightening nut of the attachment by turning it to the left, and fully let the threaded part out. Insert the attachment into the rail even from the middle of the rail.

4



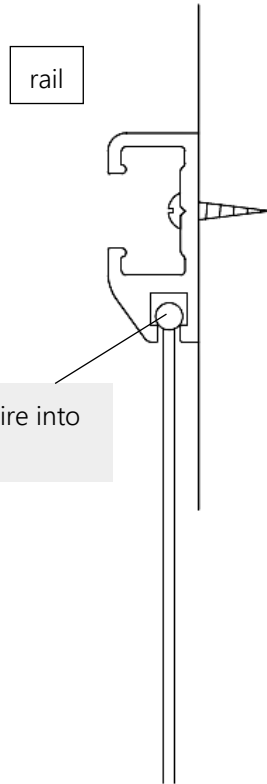
Place the attachment on the position where you want the furniture to be fixed. Turn the metal fittings inside the rail vertically, and turn the tightening nut of the attachment clockwise to fix it in place. After fixing the attachment, attach end caps to both ends of the rail

5

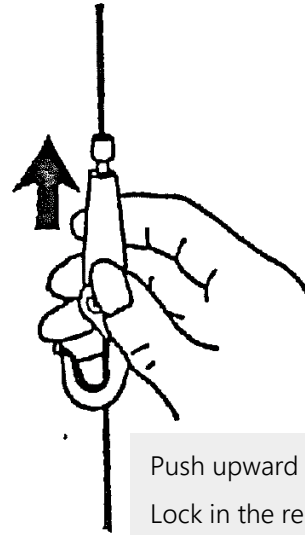


Pull the wire on the furniture stopper side to secure the furniture in place. Do not bend the wire and do not over-tension it. If you want to adjust the tension, press the unlock pin to release the lock.

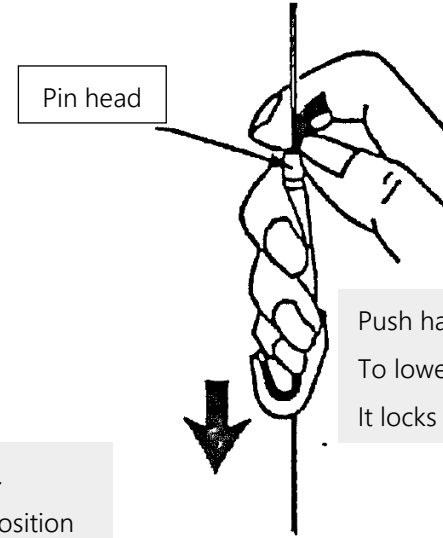
# Interior Anchor 【Work Instruction】 1540-F Tip $\phi 3.0$ terminal type



Insert the ball at the end of the wire into the groove on the lower side



Push upward by hand.  
Lock in the released position



Push hard on the pin head to unlock.  
To lower, press and hold the pin head while lowering.  
It locks in the released position.

## Interior Anchor 【Attention】

---

- Rail mounting screws are not included because the substrate is different. Please select screws that match the wall material.  
Recommended:  $\varnothing 3.5$  to  $\varnothing 4.0$ , length 30 mm or more
- Since the substrate position is different, we do not drill holes in the rails. Please check the substrate position before drilling.  
Recommendation: Drill holes of 4.5mm to 5.0mm with an electric drill, etc
- We recommend that the screws for rail mounting should be set at @450 for L=2,000.
- Furniture stopper UIA-S A does not include mounting screws. 4 screws are required per set. Please select the appropriate screws for the material of the furniture.
- M10 bolts for mounting furniture stopper UIA-S C are not included. 1 bolt is required for 1 pair. Please select the appropriate screws for the material of the furniture.
- When installing the rails, check the location of the substrate and be sure to install the rails in a location where the screws are secure. Please note that the strength of the screws will affect the safety strength of the rail.
- Depending on the mounting location, special metal fittings may be required.
- The wire on the furniture side of the furniture stopper should be fully extended from the grip. If the wire is just barely protruding from the grip, it may not be strong enough.
- After installation, check that the grips are locked.
- Do not apply paint or oil to the grips or wires.
- The installation method varies depending on the wall material.
- Please consult a professional contractor for installation.
- An installation angle of 15 degrees or less between the wall and the wire is encouraged.
- If installed incorrectly, the product may not be strong enough.
- We are not responsible for any damage or accidents caused by incorrect installation.
- This product is intended to minimize furniture sway and prevent furniture from falling over.